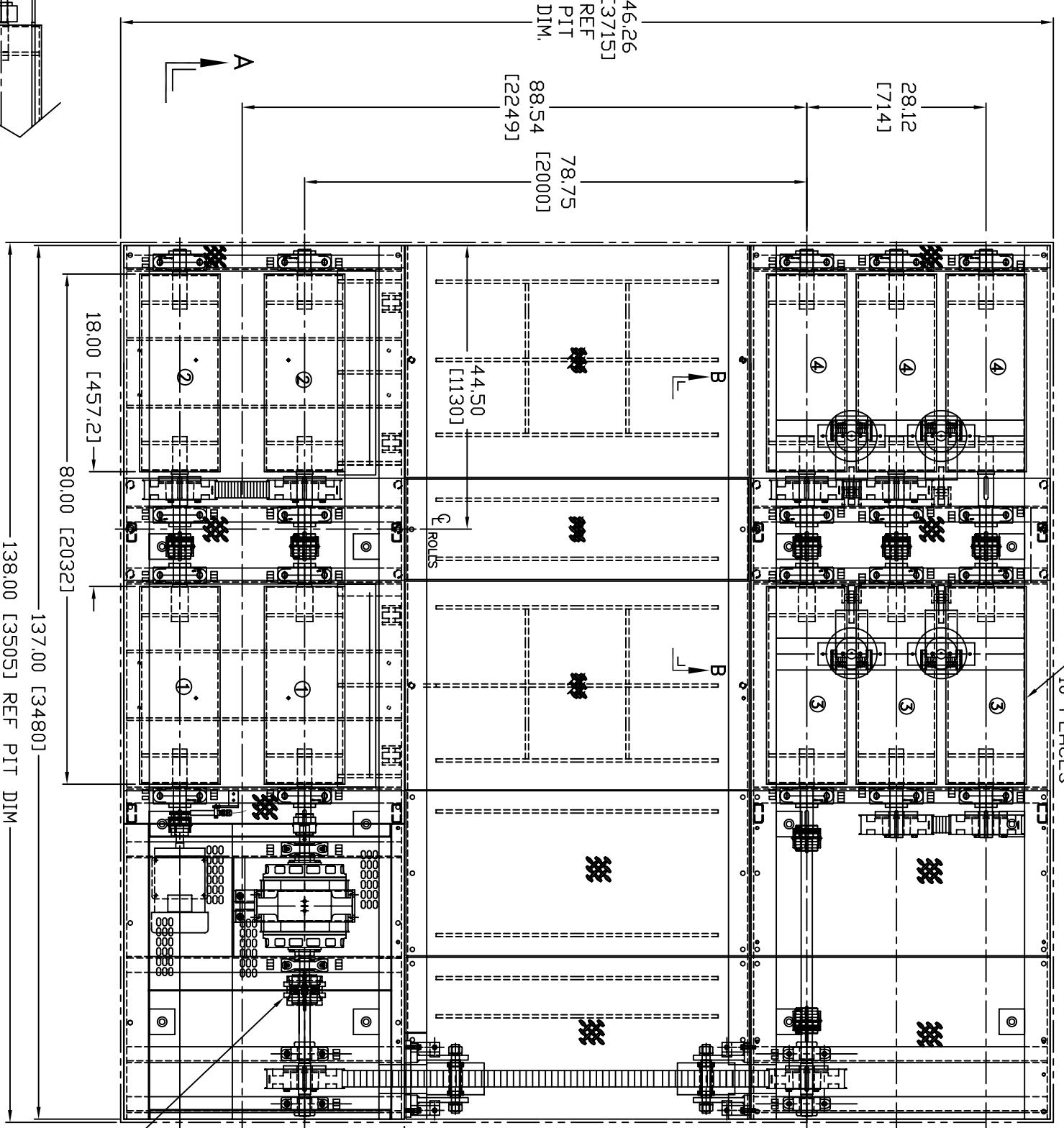
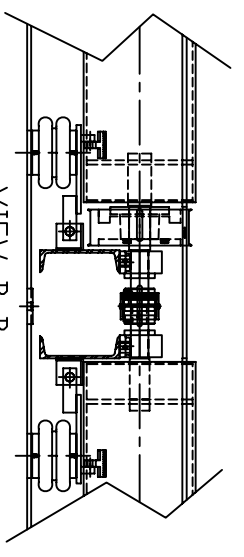


↑
 VEHICLE DIRECTION
 FOR TESTING REAR
 & ALL WHEEL DRIVE
 ↓
 VEHICLE DIRECTION
 FOR TESTING FRONT
 WHEEL DRIVE
 ↑

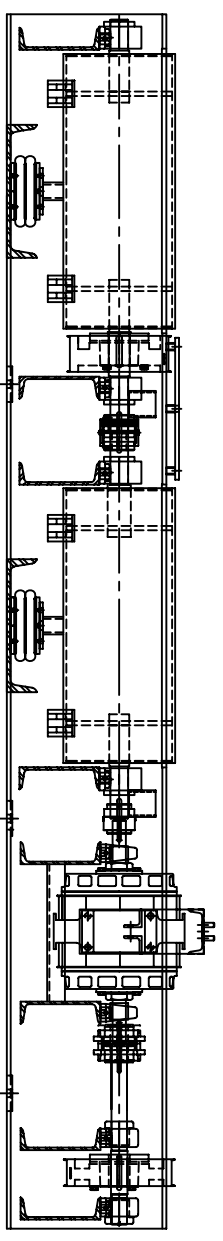
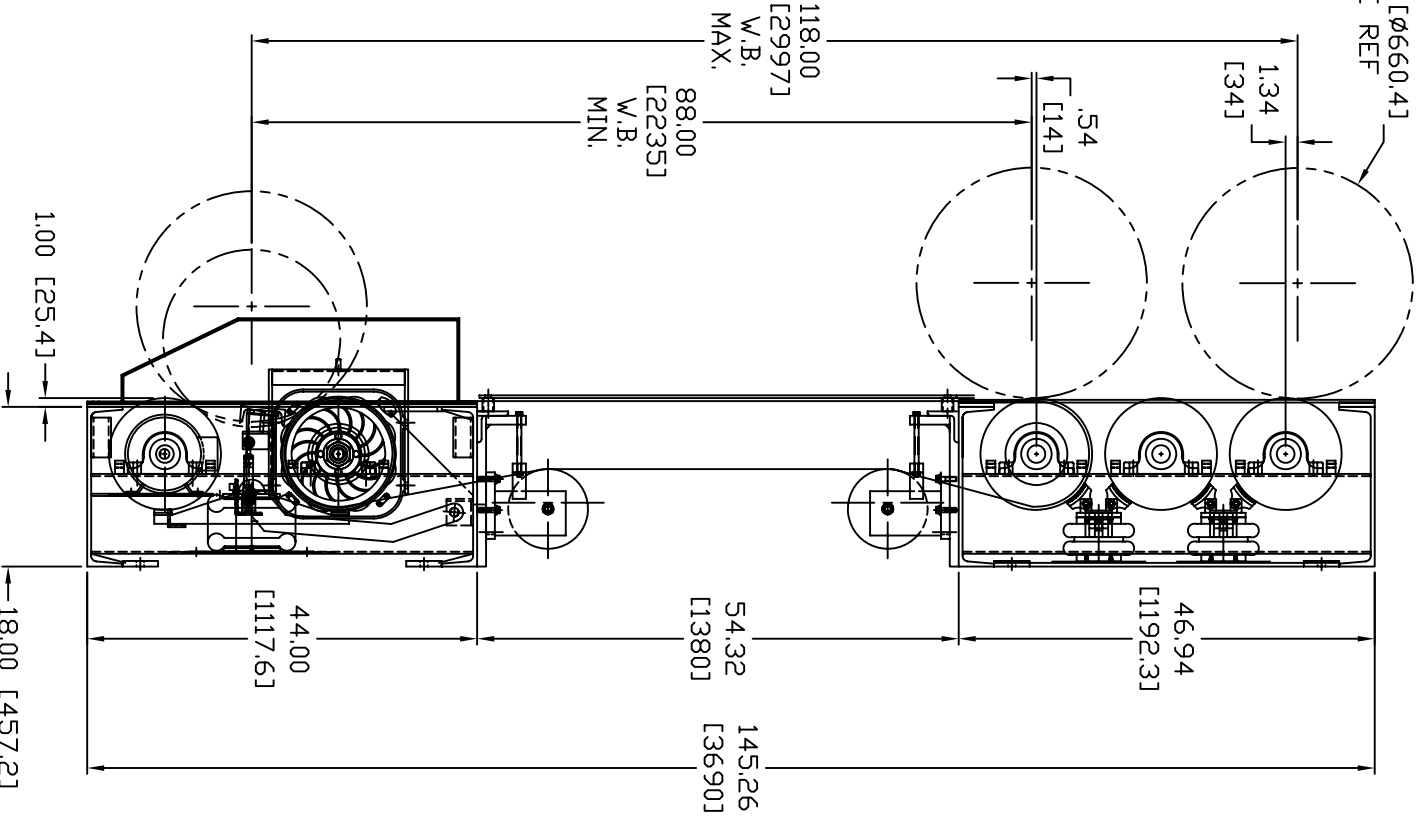
BASE MECHANICAL
 INERTIA APPROX:
 2WD MODE: 1190 lbs.
 AWD MODE: 2152 lbs.
 MOTORCYCLE MODE:
 2 ROLLS: 490 lbs.
 WITH PAU: 764 lbs.



KNURLED ROLLS
10 PLACES

ø26.00 [ø660.4]
 TIRE REF

DN/OFF
 COUPLING



REV	ECN	RELEASE	REVISION	SHW	10MAY07	BY	DATE
A							

THIS DOCUMENT IS THE PROPERTY OF MUSTANG DYNAMOMETER AND IS BELIEVED
 TO BE UNPUBLISHED INFORMATION. IT IS NOT TO BE REPRODUCED, COPIED,
 EITHER WHOLLY OR IN PART, OR USED FOR MANUFACTURE FOR ANYONE OTHER THAN
 MUSTANG DYNAMOMETER WITHOUT ITS WRITTEN CONSENT, AND THAT NO RIGHT
 IS GRANTED TO DISCLOSE OR SO USE ANY INFORMATION CONTAINED IN SAID
 DOCUMENT TO DISCLOSE OR SO USE ANY INFORMATION OBTAINED
 FROM ANOTHER SOURCE. REF 20037417

CUSTOMER APPROVAL:
 DATE:

NOTES:
 1. ALL DIMENSIONS ARE FOR REFERENCE ONLY.

FOR PIT SEE DWG 20037509

MD MUSTANG DYNAMOMETER 2300 PRINCE PAVY, THUNDERBOLT CT 44087 TEL: (330) 465-6400 FAX: (330) 465-3310	
DO NOT SCALE DRAWING	TITLE: CONCEPTUAL MD-AWD-500-M
UNLESS OTHERWISE SPECIFIED	88"-118" WB, 80" TRACK
TOL: INCH [MM]	DRAWN: DATE:
MACH: PARTS: .01 [.25]	SHW 10MAY07
FIN: .001 [.025]	APP: DATE:
PL: .001 [.025]	SHW 10MAY07
ANGULAR ± 1'	SCALE: UNITS:
	1:10.7 [IN/MM]
	SIZE: DWG. NO. 20037694
	OP 1
	REV A

1 2 3 4 5 6 7 8 9 10